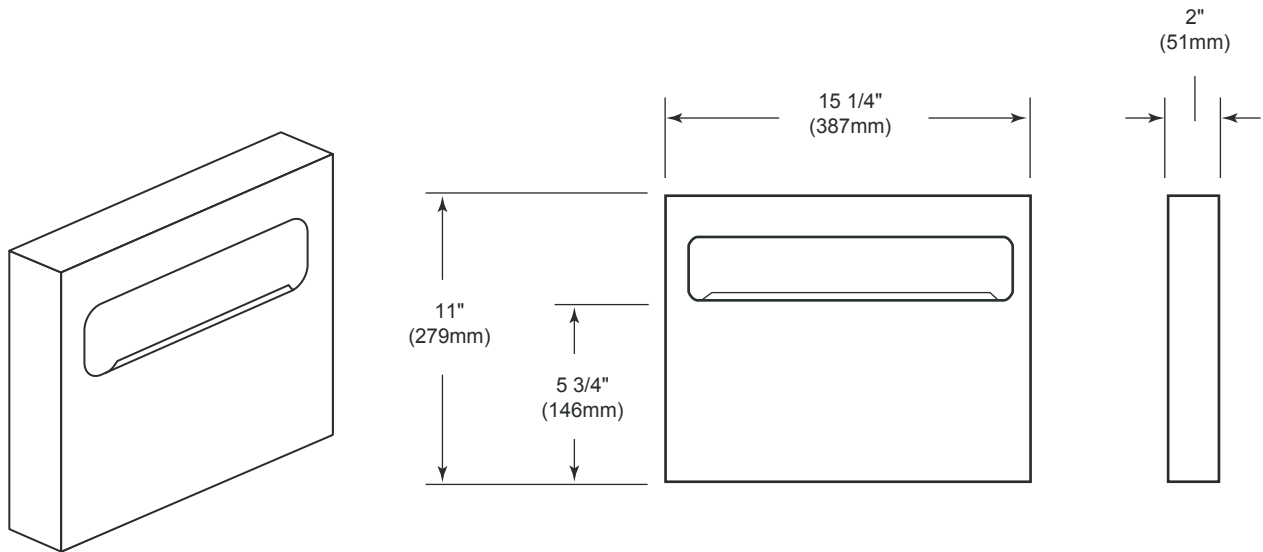




American Accessories, Inc.
Phone (877) 465-5005
Fax (877) 465-4090

Colorado Series: CO-1 Toilet Seat Cover Dispenser



SPECIFICATIONS:

- Unit is fabricated of 22 gauge 18-8 type 304 stainless steel with #4 satin finish. Fills from the bottom through concealed opening. All welded construction.

CAPACITY:

- 500 paper toilet seat covers.

OVERALL DIMENSIONS:

- 15 1/4" W x 11" H x 2" D
- (387mm W x 279mm H x 51mm D)

INSTALLATION:

- Mount unit on wall or partition of toilet compartment with two (2) screws (not furnished). For plaster or drywall construction, provide concealed backing to comply with local codes and secure with #8 x 1 1/2"(38mm) sheet-metal screws. For other wall surfaces, provide fiber plugs or expansion shields for use with sheet-metal screws, or provide
- 1/8"(3mm) toggle-bolts or expansion bolts.

NOTES:

- Provide a 4"(102mm) minimum clearance from bottom of dispenser to top of any horizontal projection to provide room for filling dispenser.

OPTIONS:

- Available in white enamel: add suffix "W".
Available in titanium gold: add suffix "TG".
Available in #8 mirror finish S.S.: add suffix "B".