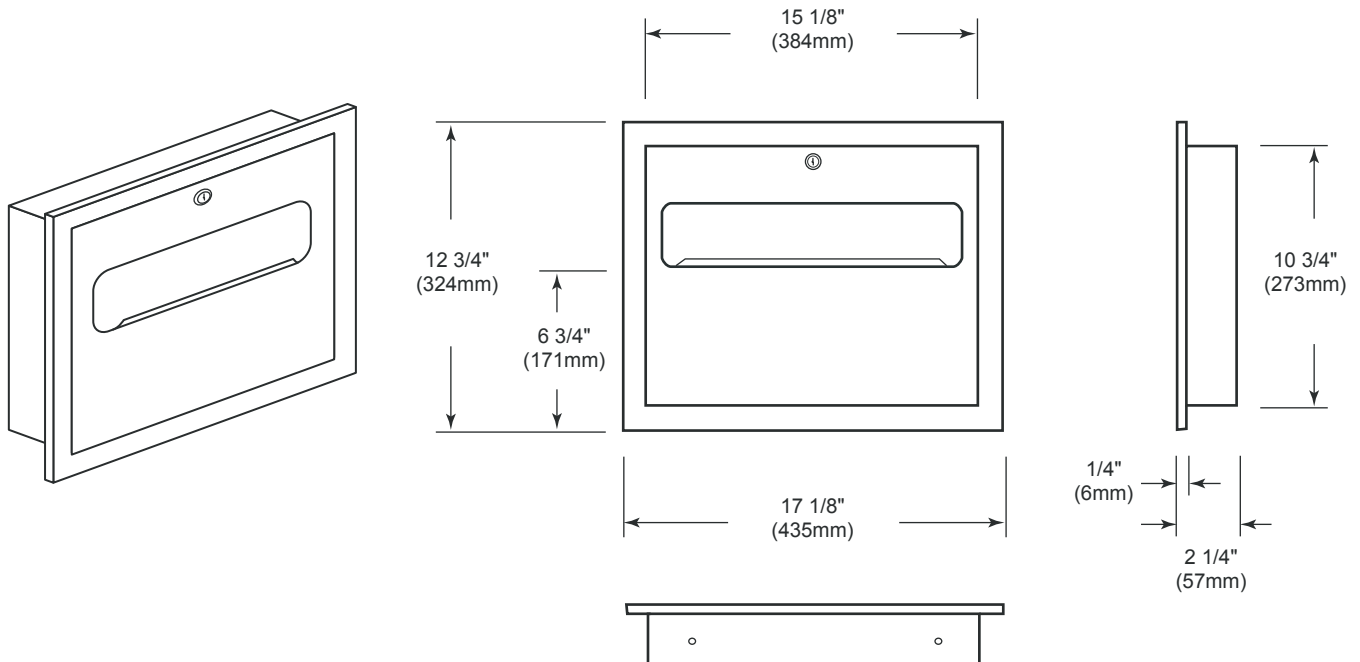




American Accessories, Inc.  
Phone (877) 465-5005  
Fax (877) 465-4090

## Colorado Series: CO-2 Recessed Toilet Seat Cover Dispenser



### SPECIFICATIONS:

- Unit fabricated of 18-8 type 304 stainless steel with #4 satin finish. Door is mounted with full-length stainless steel piano hinge and fitted with tumbler lock. One piece flange provided with 1/4"(6mm) return for rigidity. All welded construction.

### CAPACITY:

- 500 paper toilet seat covers.

### OVERALL DIMENSIONS:

- 17 1/8" W x 12 3/4" H x 2 1/4" D
- (435mm W x 324mm H x 57mm D)
- 

### WALL OPENING:

- 15 5/8" W x 11 1/4" H x 2 1/4" D
- (397mm W x 286mm H x 57mm D)

### MOUNTING:

- 60"(1,524mm) to top of unit, 44"(1,118mm) for handicapped.

### INSTALLATION:

- Framed wall opening 15 5/8"(397mm)W x 11 1/4"(286mm)H x 2 1/4"(57mm)D. Coordinate with mechanical engineers for protrusion from opposite wall for pipes, conduits, etc. If installing where unit projects above top of wainscot, provide filler panel to prevent gapping from finished wall and flange of unit. In installing in block walls, use metal expansion shields.

### ADA GUIDELINES:

- Access to paper towel should be 15"(381mm) to 48"(1,219mm) above the finished floor to allow forward and side reach by people in wheelchairs.