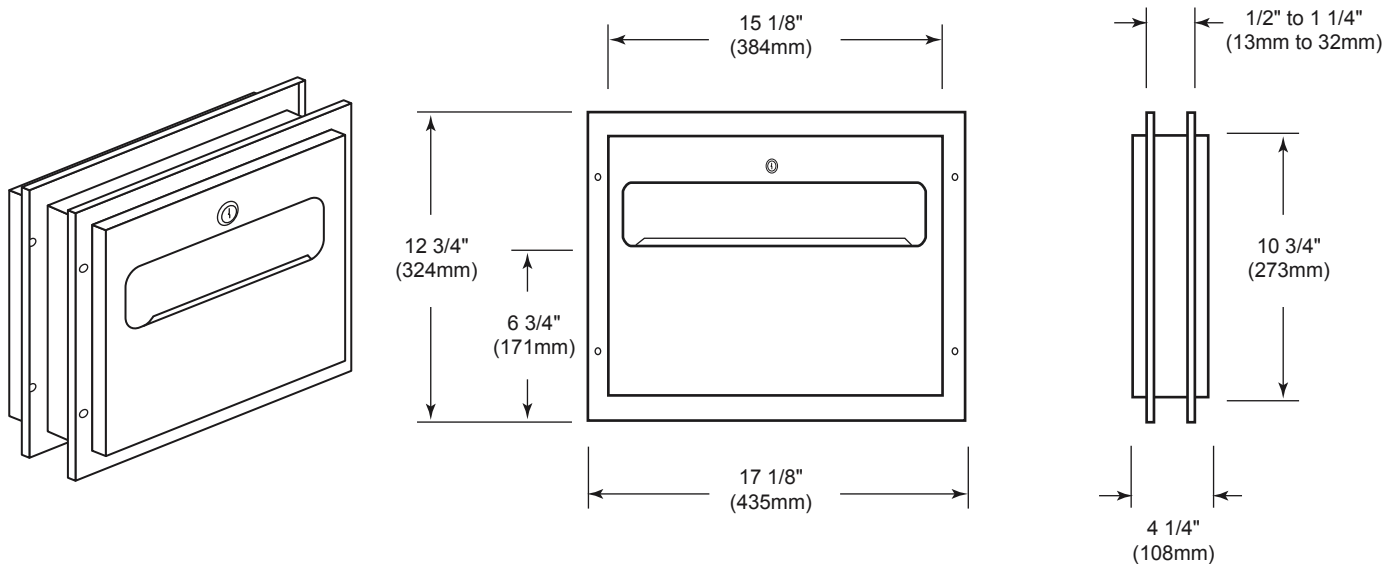




American Accessories, Inc.
Phone (877) 465-5005
Fax (877) 465-4090

Colorado Series: CO-3 Dual Toilet Seat Cover Dispenser



SPECIFICATIONS:

- Unit fabricated of 18 and 22 gauge 18-8 type 304 stainless steel with #4 satin finish. Door is mounted with a full-length stainless steel piano hinge and fitted with a tumbler lock. One piece flange with 1/4" (6mm) return for rigidity, and provided with mounting holes. Serves two (2) compartments with servicing from both sides. All welded construction.

CAPACITY:

- 1000 paper toilet seat covers (500 each side).

OVERALL DIMENSIONS:

- 17 1/8" W x 12 3/4" H x 4 1/4" D
- (435mm W x 324mm H x 108mm D)

PARTITION OPENING:

- 15 5/8" W x 11 1/4" H
- (397mm W x 286mm H)

MOUNTING:

- 60" (1,524mm) to top of unit, 43 1/2" (1,105mm) for handicapped. Mounts in partitions 1/2" (13mm) to 1 1/4" (32mm) thick; mount centered through toilet partitions.
-