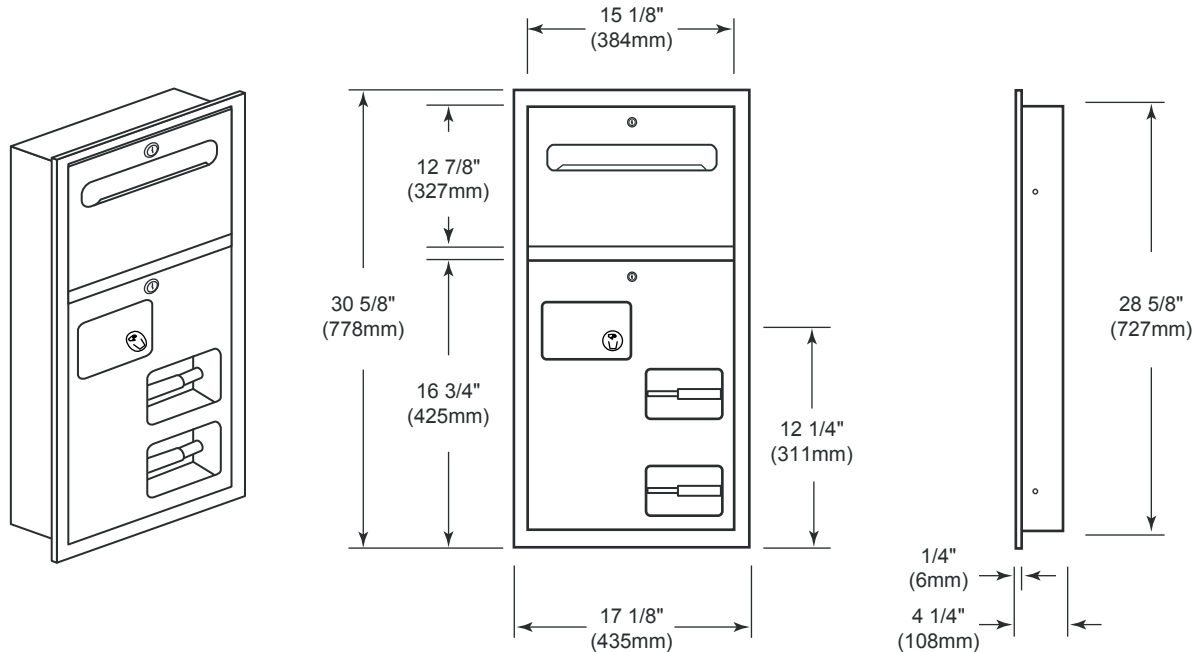




American Accessories, Inc.
 Phone (877) 465-5005
 Fax (877) 465-4090

Colorado Series: CO-5 Recessed Combination Toilet Seat Cover and Toilet Tissue Dispenser with Disposal



SPECIFICATIONS:

- Unit fabricated of 18-8 type 304 stainless steel with #4 satin finish. Doors mounted with continuous stainless steel piano hinge and each fitted with tumbler locks. One piece seamless 22 gauge flange constructed with 1/4" (6mm) return for rigidity. Waste receptacle is self-closing with spring hinge, has international symbol, and is removable for servicing. All welded construction.

CAPACITY:

- 500 toilet seat covers, toilet tissue accommodates 5 1/4" (133mm) diameter, 1800 sheet rolls.

OVERALL DIMENSIONS: **WALL OPENING:**

- 17 1/8" W x 30 5/8" H x 4 1/4" D 15 5/8" W x 29 1/8" H x 4 1/4" D
- (435mm W x 778mm H x 108mm D) (397mm W x 740mm H x 108mm D)
-

INSTALLATION:

- Provide framed wall opening with recessed depth required being 4 1/4" (108mm) from the finished face of wall. If installing where unit projects above wainscot, provide filler to prevent gaps. If installing in block walls, use metal expansions shields.
- 1/8" (3mm) gap recommended between units for door clearance.

MOUNTING:

- 60" (1,524mm) to top of unit, 46" (1,168mm) for handicapped.

ADA GUIDE:

Toilet tissue rolls should be mounted with forward edge no more than 36" (914mm) from the back wall of stall. All toilet tissue dispensers should be mounted with their horizontal centerline at least 19" (483mm) from the finished floor. Mount centered through toilet partitions. Handicapped units have the toilet tissue on the left side when facing unit.

OPTIONS:

- CO-5F same as above except with 2" (51mm) skirt for semi-recessing.
- CO-5FS same as above except with 4" (102mm) skirt for surface mounting.