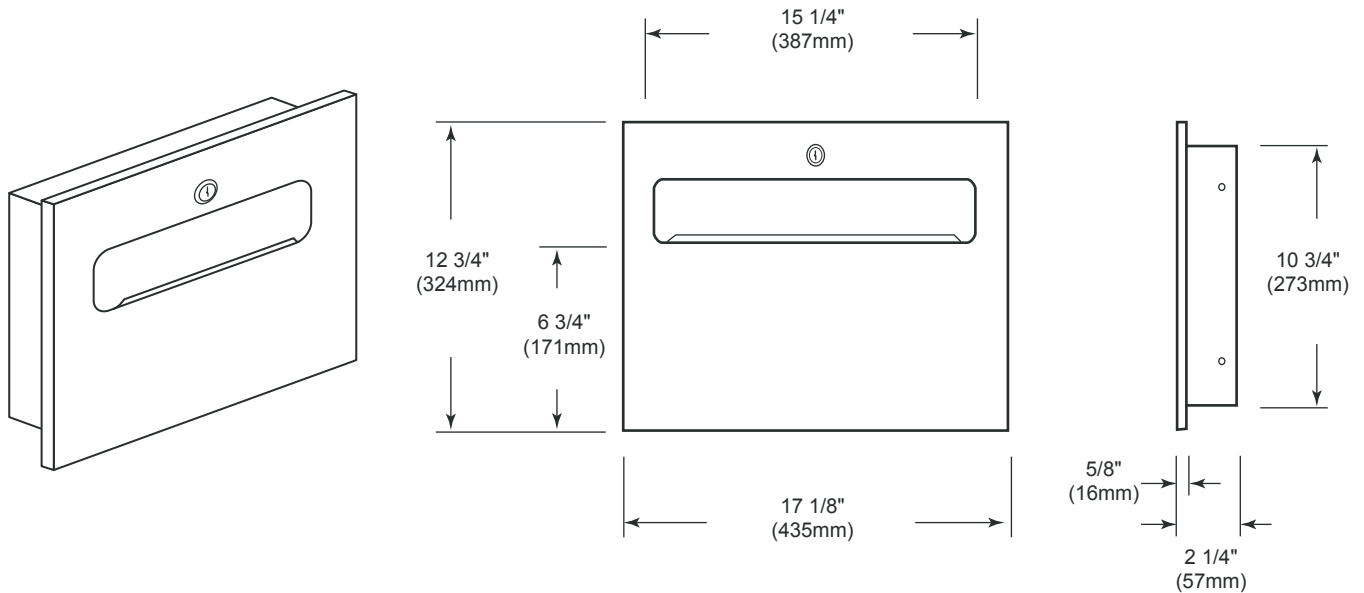




American Accessories, Inc.
Phone (877) 465-5005
Fax (877) 465-4090

Colorado Series: CO-8 Recessed Toilet Seat Cover Dispenser



SPECIFICATIONS:

- Unit fabricated of 18-8 type 304 stainless steel #4 satin finish. Door is mounted with a full-length stainless steel
- steel piano hinge and fitted with a tumbler lock. Constructed with 5/8"(16mm) return for rigidity. All welded construction.

CAPACITY:

- 500 paper toilet seat covers.

OVERALL DIMENSIONS: □ □

- 17 1/8" W x 12 3/4" H x 2 1/4" D
- (435mm W x 324mm H x 57mm D)

WALL OPENING:

- 15 5/8" W x 11 1/4" H x 1 7/8" D
- (397mm W x 286mm H x 48mm D)

MOUNTING:

- 60"(1,524mm) to top of unit, 44 1/2"(1,130mm) for handicapped.

INSTALLATION:

- Framed wall opening 15 5/8"(397mm)W x 11 1/4"(286mm)H x 2 1/4"(57mm)D. Coordinate with mechanical
- engineers for protrusion from opposite wall for pipes, conduits, etc. If installing where unit projects above top of
- wainscot, provide filler panel to prevent gapping from finished wall and flange of unit. In installing in block walls,
- use metal expansion shields.