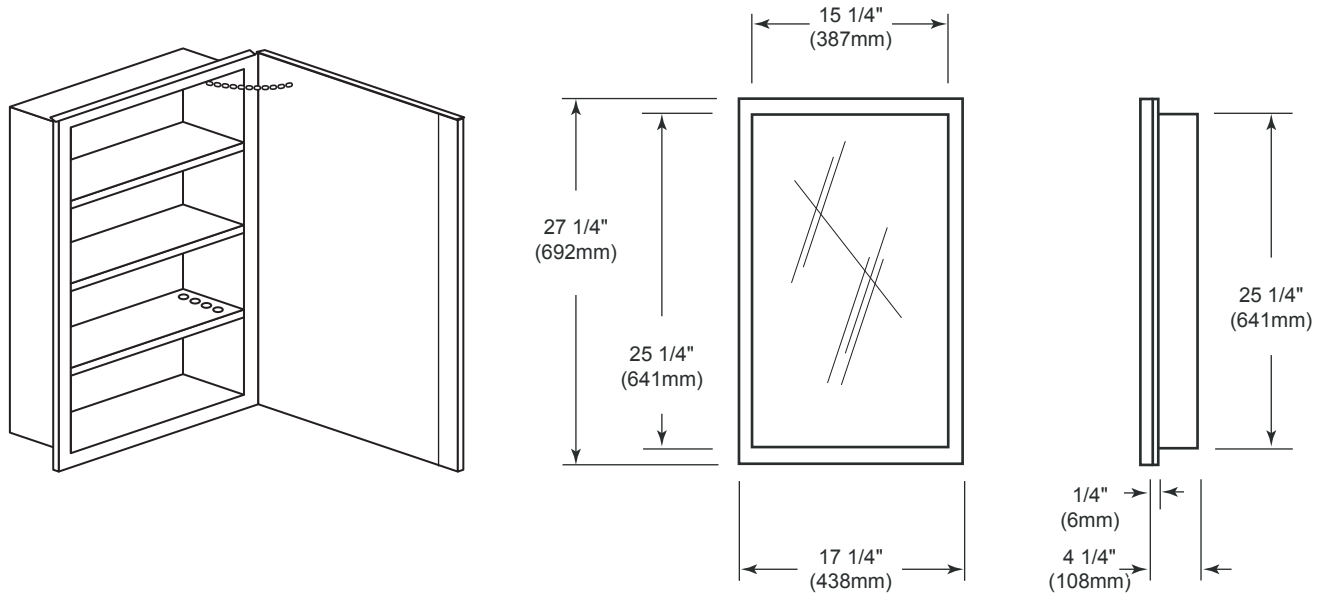




American Accessories, Inc.
Phone (877) 465-5005
Fax (877) 465-4090

Maine Series: ME-1R/L Medicine Cabinet



SPECIFICATIONS:

- Unit fabricated of 22 gauge 18-8 type 304 stainless steel with #4 satin finish. Mirror is 1/4"(6mm) float/plate glass with a
- 15 year guarantee against silver spoilage. Door is provided with magnetic catch. Door retainer is mounted with full length
- stainless steel piano hinge. Unit provided with four(4) adjustable stainless steel shelves and a toothbrush holder. All welded
- construction. Specify door handing right as shown or left.

SPECIFICATIONS:

- Provide framed wall opening. Recessed depth required is 4 1/4"(108mm) from the finished face of wall. Check plans and
- coordinate with engineers to avoid protrusion from opposite wall, pipes, conduits, electrical wiring, etc. If installing where
- unit projects above wainscot, provide filler to prevent gaps. If installing in block walls, use metal expansion shields.

OVERALL DIMENSIONS:

- 17 1/4" W x 27 1/4" H x 4 1/4" D
(438mm W x 692mm H x 108mm D)

WALL OPENING:

- 15 3/4" W x 25 3/4" H x 4 1/4"
(400mm W x 654mm H x 108mm D)

MOUNTING:

- 74"(1,880mm) to top of unit.

ADA GUIDE:

Bottom edge of reflective surface should be mounted no more than 40"(1,016mm) above the finished floor. 74"(1,880mm) to top of unit. Access to paper towels should locate 15"(381mm) to 48"(1219mm) above the finish floor. Units should not project more than 4"(102mm) from the wall. Mounting location for push button dispensers are 44"(1,118mm) maximum above the finished floor. Push buttons and pistons should be operable with one hand without tight grasping, pinching, or twisting of the wrist. Activation of soap valves should not require more than 5 lbs. of force when completely filled.