

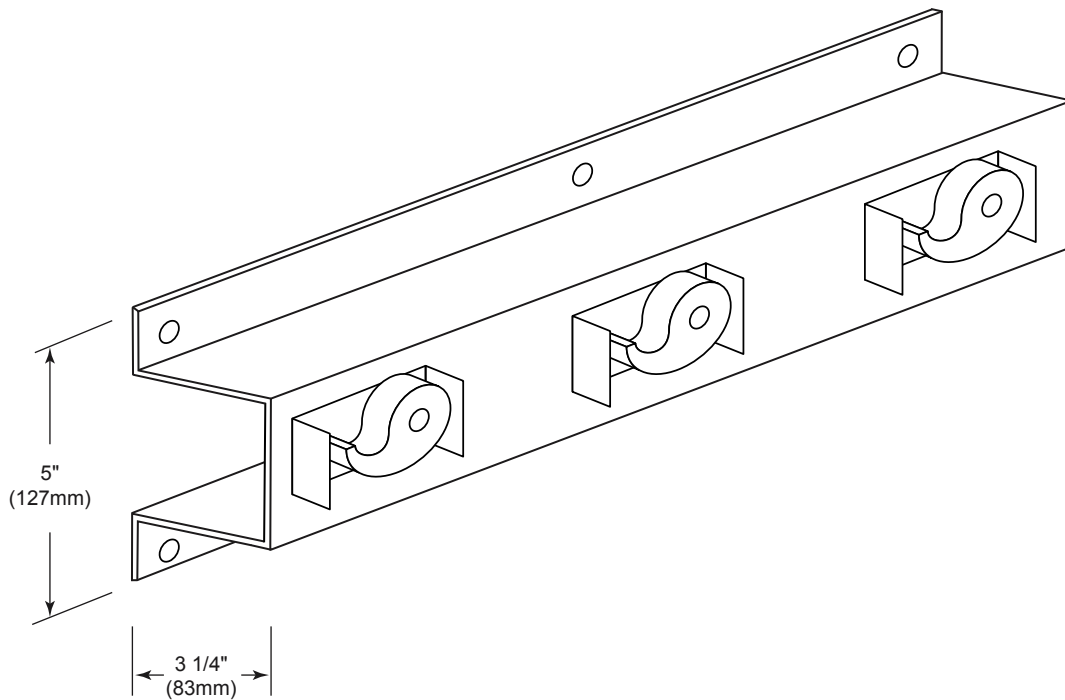


American Accessories, Inc.

Phone (877) 465-5005

Fax (877) 465-4090

Minnesota Series: MN-10
Mop Strip
24" W x 5" H x 3 1/4"D



SPECIFICATIONS:

- Unit fabricated of 18 gauge type 304 stainless steel with a #4 satin finish. Mop holder molded with serrated rubber cam
- holders and spring loaded to insure maximum gripping ability. Holders accommodate mops and brooms from 3/4"
- (19mm) to 1 1/4" (32mm) in diameter. Projection of 3 1/4" (83mm) keeps mops away from the wall.

OVERALL DIMENSIONS:

- 24" W x 5" H x 3 1/4" D
- (610mm W x 127mm H x 83mm D)

OPTIONS:

- MN-20 same as above except 36" (914mm) in length, 4 holders.
- MN-30 same as above except 48" (1,219mm) in length, 5 holders.
- MN-40 same as above except 60" (1,524mm) in length, 6 holders.