

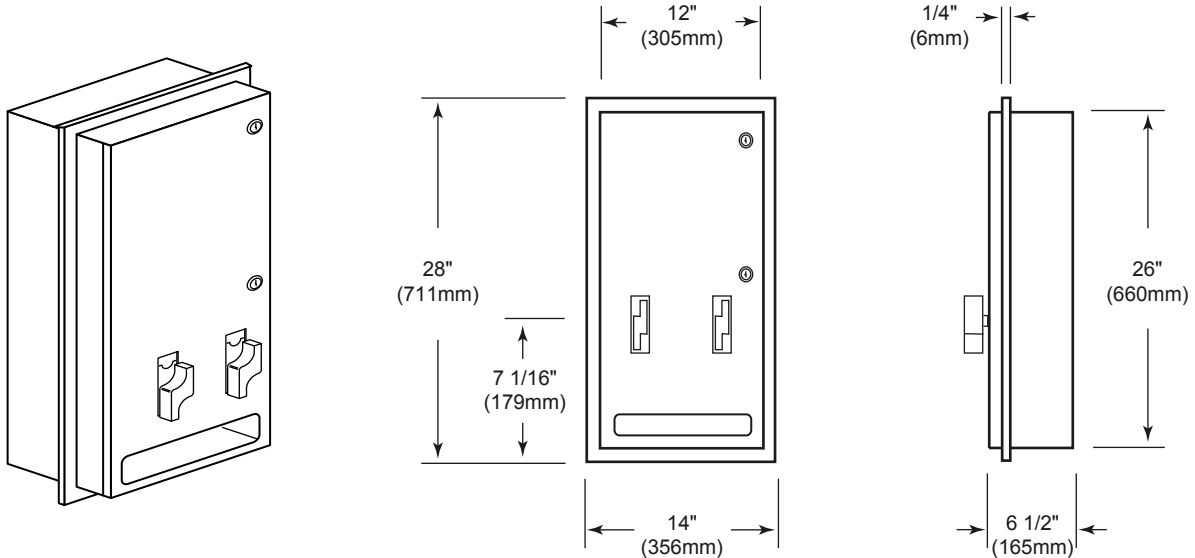


American Accessories, Inc.

Phone (877) 465-5005

Fax (877) 465-4090

Nebraska Series: NE-1 & Napkin and Tampon Vendor



SPECIFICATIONS:

- Unit fabricated of 18-8 type 304 stainless steel with #4 satin finish. Door is 18 gauge, warp free, hung on a continuous stainless steel piano hinge, and fitted with two(2) tumbler locks. Adjustable frame provided with 1/4"(6mm) return for rigidity. Coin box fitted with tumbler lock keyed differently than door. Coin mechanisms available for 25 cents, 50 cents, and free operation. All welded construction.

CAPACITY:

30 napkins and 27 tampons.

OVERALL DIMENSIONS:

- 14" W x 28" H x 6 1/2" D
(356mm W x 711mm H x 165mm D)

WALL OPENING:

- 12 1/2" W x 26 1/2" H x 2" to 6" D
(318mm W x 673mm H x 51mm to 152mm D)

MOUNTING HEIGHT:

74"(1,880mm) to top of unit, 60"(1,524mm) for handicapped.

INSTALLATION:

Provide framed wall opening. Recessed depth required is 6"(152mm) from the finished face of wall for fully recessing. Unit has an adjustable flange to recess from 2"(51mm) to 6 1/2"(165mm). If installing where unit projects above wainscot, provide filler to prevent gaps. If installing in block walls, use metal expansion shields. 1/8"(3mm) gap recommended between units for door clearance.

OPTIONS:

NE-1FS same as above except with adjustable frame removed for surface mounting.

ADA GUIDE:

Hinged panels should not require more than 5 lbs. of force to open. Units should not project more than 4"(102mm) from the wall. Operable with one hand and without pinching, grasping, or twisting of the wrist. Activation should not require more than 5 lbs. of force when completely filled.