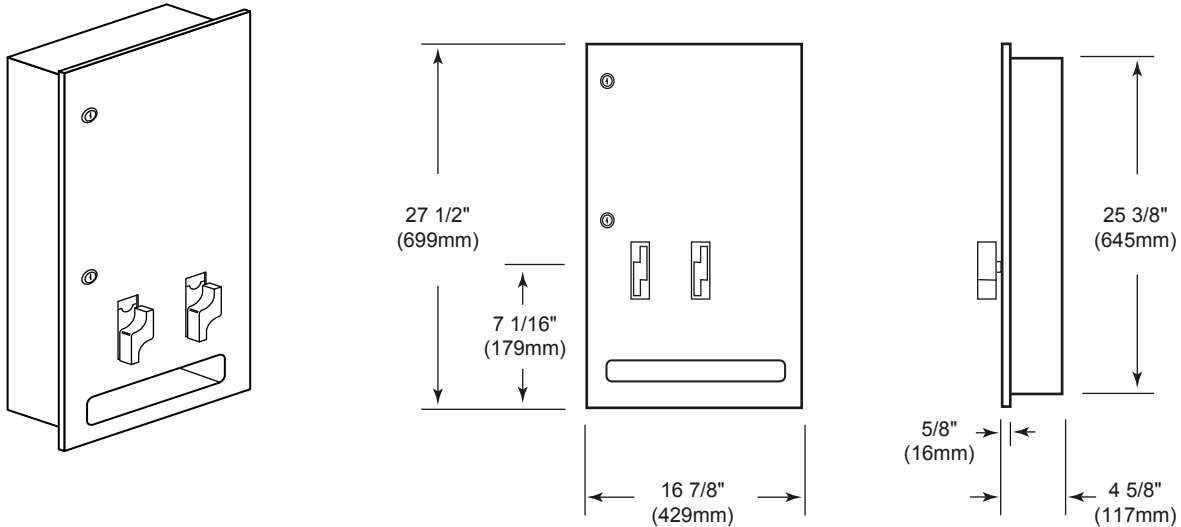




American Accessories, Inc.  
Phone (877) 465-5005  
Fax (877) 465-4090

## Nebraska Series: NE-4 & Napkin and Tampon Vendor



### SPECIFICATIONS:

- Unit fabricated of 18-8 type 304 stainless steel with #4 satin finish. Door is 18 gauge, warp free, hung on a continuous stainless steel piano hinge, and fitted with two (2) tumbler locks. Frame provided with 5/8"(16mm) return for rigidity.
- Coin box fitted with tumbler lock keyed differently than door. Coin mechanisms available for 25 cents, 50 cents, and free operation. All welded construction.

### CAPACITY:

15 napkins and 24 tampons.

### OVERALL DIMENSIONS:

- 16 7/8" W x 27 1/2" H x 4 5/8" D (429mm W x 699mm H x 117mm D)
- 15 3/8" W x 26" H x 4 1/4" D (391mm W x 660mm H x 108mm D)

### WALL OPENING:

### MOUNTING HEIGHT:

70"(1,778mm) to 74"(1,880mm) to top of unit, 50"(1,270mm) for handicapped.

### INSTALLATION:

Provide framed wall opening. Recessed depth required is 4 1/4"(108mm) from the finished face of wall. Check plans and coordinate with mechanical engineer to avoid protrusion from opposite wall, conduits, electrical wiring, etc. If installing in plaster, we recommend grounding. If installing where unit projects above wainscot, provide filler to prevent gap from finished wall and flange of unit. If installing in block walls, use metal expansion shields. 1/8"(3mm) gap recommended between units for door clearance.

### OPTIONS:

- NE-4F same as above except with 2"(51mm) skirt for semi-recessing.
- NE-4FS same as above except with 4"(102mm) skirt for surface mounting.
- NE-4TG same as above except with titanium gold finish.

### ADA GUIDE:

Hinged panels should not require more than 5 lbs. of force to open. Units should not project more than 4"(102mm) from the wall. Operable with one hand and without pinching, grasping, or twisting of the wrist. Activation should not require more than 5 lbs. of force when completely filled.