

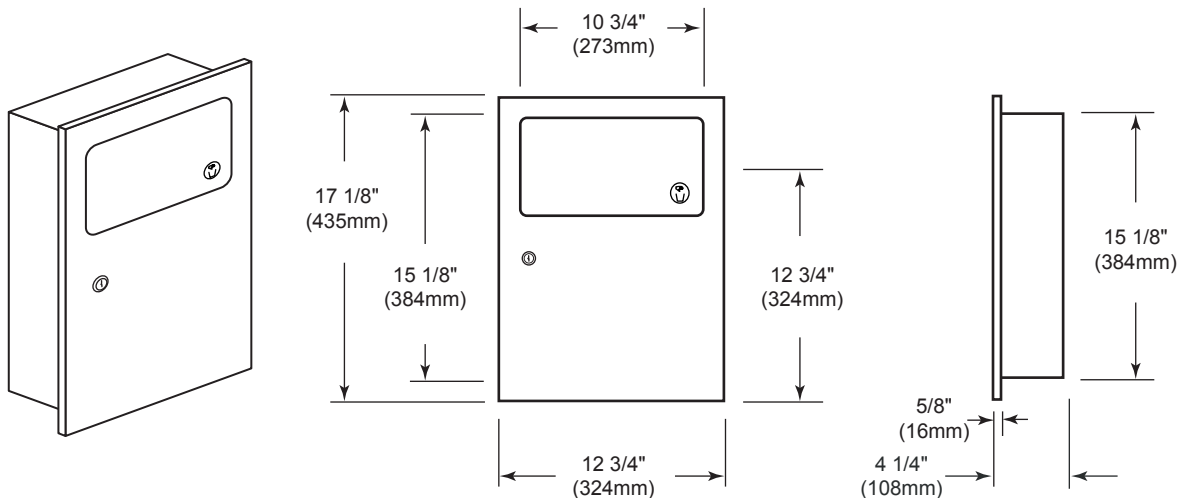


American Accessories, Inc.

Phone (877) 465-5005

Fax (877) 465-4090

New Mexico Series: NM-70 Recessed Napkin Disposal



SPECIFICATIONS:

- Unit fabricated of 18-8 type 304 stainless steel with #4 satin finish. One piece seamless door is 18 gauge with 5/8"(16mm) return for rigidity, mounted with continuous stainless steel piano hinge, and fitted with tumbler lock. Self-closing push
- door is mounted with continuous stainless steel piano hinge. Stainless steel inner container is removable for easy servicing.
- All welded construction.

CAPACITY:

- 1.2 gallons (4.6L).

INSTALLATION:

- Provide framed wall opening. Recessed depth required is 3 7/8"(98mm) from the finished face of wall. If installing where unit projects above wainscot, provide filler to prevent gaps. If installing in block walls, use metal expansion shields.
- 1/8"(3mm) gap recommended between units for door clearance.

OVERALL DIMENSIONS:

- 12 3/4" W x 17 1/8" H x 4 1/4" D
- (324mm W x 435mm H x 108mm D)

WALL OPENING:

- 11 1/4" W x 15 5/8" H x 3 7/8" D
- (286mm W x 397mm H x 98mm D)

MOUNTING:

- 34"(864mm) to top of unit, 28"(711mm) to 33 1/4"(845mm) for handicapped.

ADA GUIDE:

- Hinged panels covering waste receptacle openings should not require more than 5 lbs. of force to open. Units should not project more than 4"(102mm) from the wall.