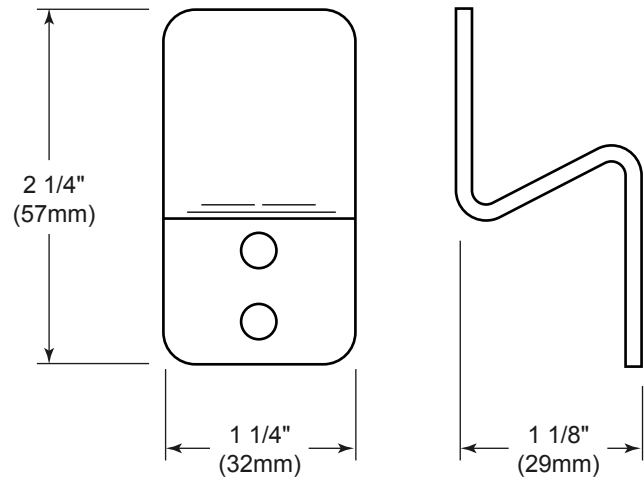
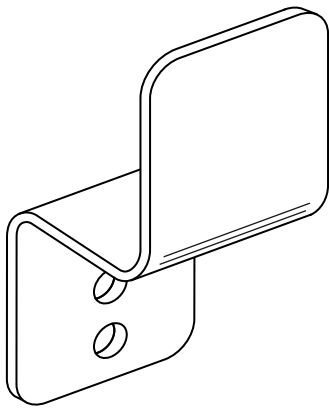




American Accessories, Inc.
Phone (877) 465-5005
Fax (877) 465-4090

New York Series: NY-233 Surface Mounted Robe Hook



SPECIFICATIONS:

Unit fabricated of 11 gauge, 18-8 type 304 stainless steel with a #4 satin finish. Face of wall hook is 1 1/4" W x 1 1/4" H (32mm W x 32mm H) and unit projects 1 1/8" (29mm) from wall.

OVERALL DIMENSIONS:

1 1/4" W x 2 1/4" H x 1 1/8" D
(32mm W x 57mm H x 29mm D)