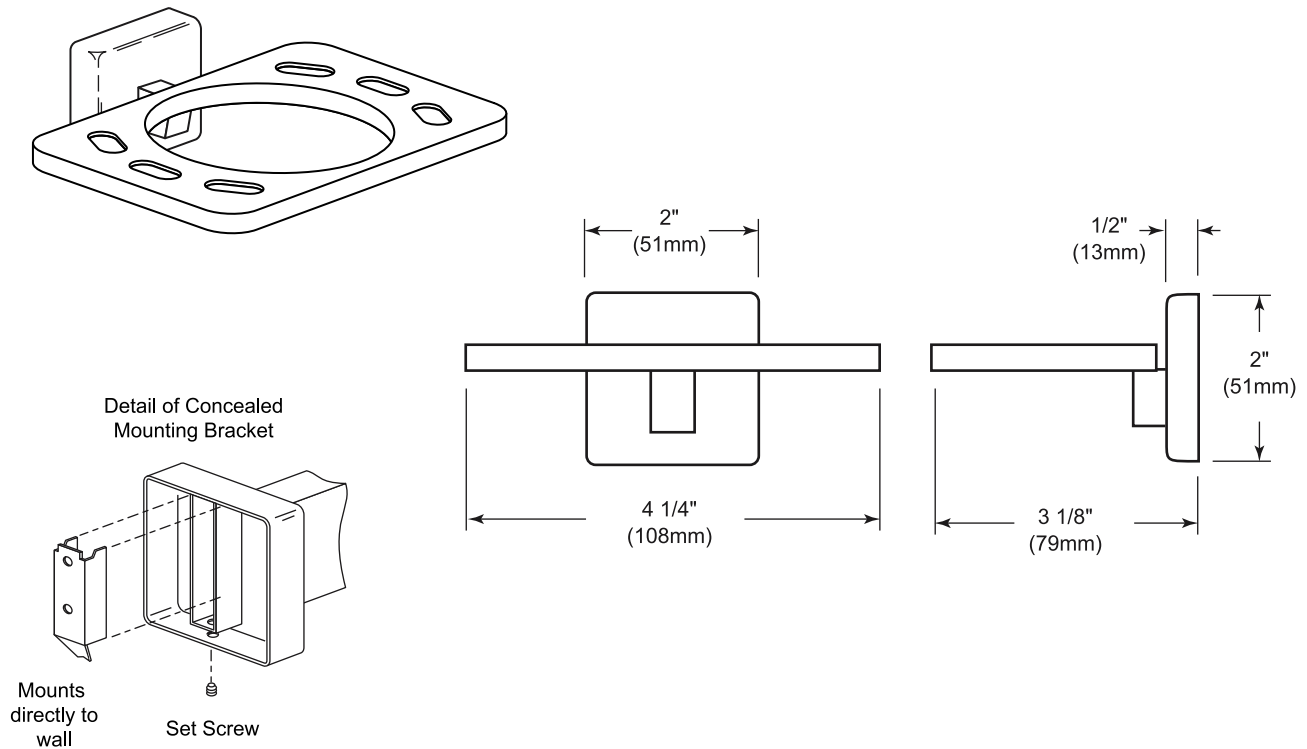




American Accessories, Inc.
Phone (877) 465-5005
Fax (877) 465-4090

Oregon Series: OR-5157 Toothbrush and Tumbler



SPECIFICATIONS:

Unit is fabricated of 16 and 22 type 18-8 304 stainless steel with #4 satin finish. Flange and projecting post are fabricated of 16 and 22 gauge and equipped with a concealed 16 gauge wall plate with a stainless steel set screw. Toothbrush holder is 22 gauge with a 4 1/4" (108mm) projection. All components have seamless welded construction with concealed screw attachment on stainless steel wall plate.

INSTALLATION:

Mount wall plate on surface in vertical position with screws provided. Slip wall flange and projecting post with toothbrush assembly over wall plate and tighten set screw until secure.

DIMENSIONS:

Unit has overall dimensions of 4 1/4"(108mm) x 3 1/8"(79mm) with 2 3/8" (60mm) hole for tumbler and six(6) toothbrush holes.

OPTIONS:

- Add "S" to the model number for satin finish.
- Add "B" to the model number for bright polished finish.