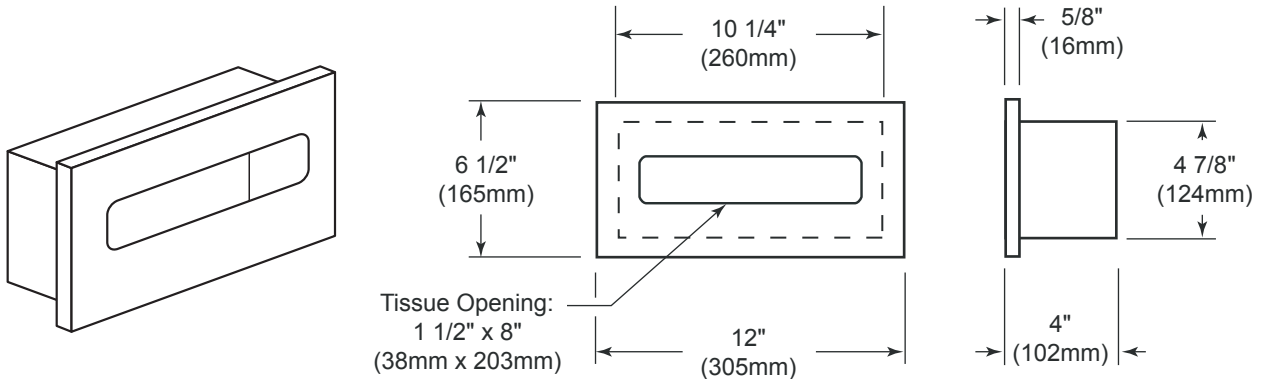




American Accessories, Inc.
Phone (877) 465-5005
Fax (877) 465-4090

Oregon Series: OR-6 Recessed Facial Tissue Dispenser



SPECIFICATIONS:

Unit fabricated of 18-8 type 304 stainless steel with a #4 satin finish. Door is attached to unit with a stainless steel piano hinge and snaps shut with less than 5 pounds of pressure. All welded construction.

CAPACITY:

One box of 100 two(2)-ply facial tissue.

INSTALLATION:

Mount unit on wall or apron with two (2) sheet-metal screws (provided) at holes provided for plaster or drywall construction. Provide concealed backing to comply with local building codes, then secure unit with sheet-metal screws (not included).

OVERALL DIMENSIONS:

12" W x 6 1/2" H x 4 1/4" D
(305mm W x 165mm H x 108mm D)

ROUGH WALL OPENING:

10 3/4" W x 5 3/8" H x 4 1/4" D
(273mm W x 137mm H x 108mm D)