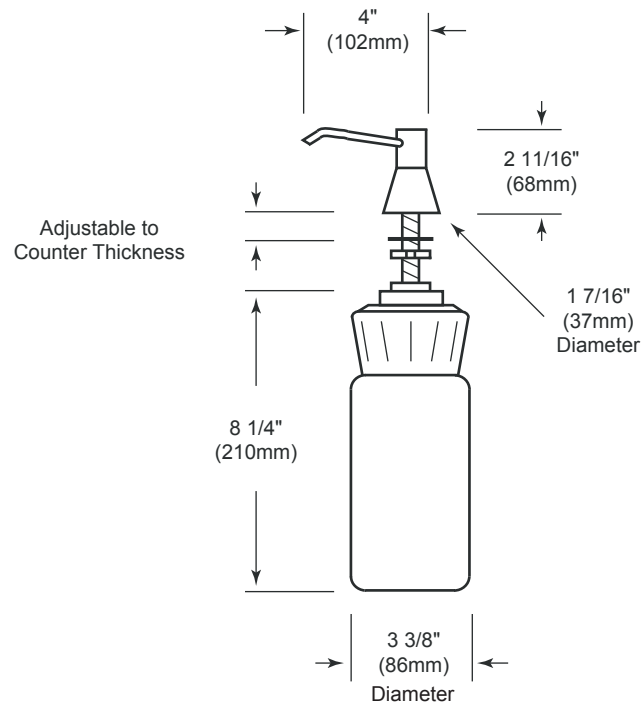




American Accessories, Inc.
Phone (877) 465-5005
Fax (877) 465-4090

South Dakota Series: SD-64LB Soap Dispenser



SPECIFICATIONS:

- Basin mounted soap dispenser with polyethylene globe. Unit is designed to be filled from the top for easy maintenance.
- The 4"(102mm) long spout directs soap flow over sink. Exposed surfaces are chrome plated brass.

CAPACITY:

- 8 1/4"(210mm) globe - 32 ounces.
- 6"(152mm) globe - 16 ounces.

OVERALL DIMENSIONS:

- Unit requires 1"(54mm) diameter hole in the vanity or basin diameter of escutcheon is 1 7/8"(48mm).

MOUNTING:

- Mounting location for push button dispenser is 44"(1,118mm) maximum above the finished floor. Spout shall rotate 360
- degrees without damage to valve mechanism. Mount so that end of spout extends over inner edge of basin.

ADA GUIDELINES:

- Push buttons and pistons should be operable with one hand and without tight grasping, pinching or twisting of the wrist.
- Activation of soap valves should not require more than 5 pounds of force when unit is completely filled.