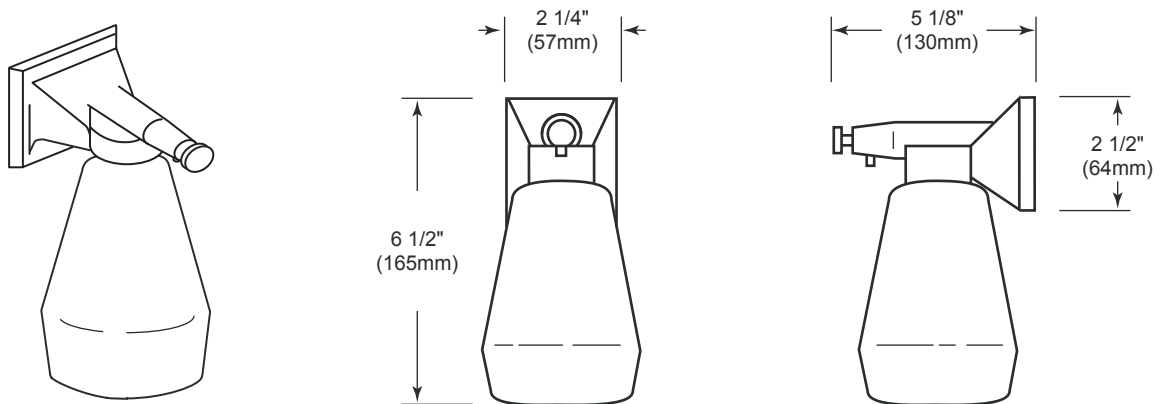




American Accessories, Inc.
Phone (877) 465-5005
Fax (877) 465-4090

South Dakota Series: SD-B6

Soap Dispenser



SPECIFICATIONS:

- Push button soap dispenser with liquid valve. Chrome plated nylon valve with white translucent polyethylene globe. Globe unscrews from base for filling.
-

CAPACITY:

- 16 ounces of liquid soap.

INSTALLATION:

- For concealed mounting, mount wall plate to wall surface with 3 screws provided.

MOUNTING:

- Mounting location for push button dispenser is 44"(1,118mm) maximum above the finished floor.

ADA GUIDELINES:

- Push buttons and pistons should be operable with one hand and without tight grasping, pinching or twisting of the wrist.
- Activation of soap valves should not require more than 5 pounds of force when unit is completely filled.