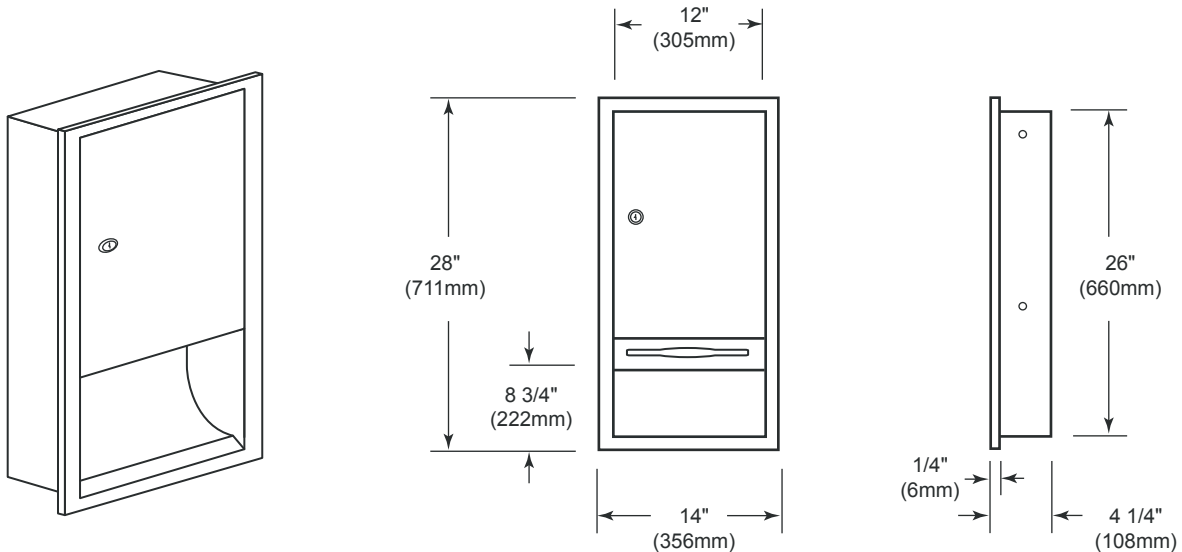




American Accessories, Inc.
Phone (877) 465-5005
Fax (877) 465-4090

Tennessee Series: TN-3 Towel Dispenser



SPECIFICATIONS:

Unit fabricated of 18-8 type 304 stainless steel with #4 satin finish. Door is 18 gauge, mounted with a full-length stainless steel piano hinge, and fitted with a tumbler lock. One piece flange constructed with 1/4"(6mm) return for rigidity. All welded construction.

All welded construction.

CAPACITY:

Towel dispenser: 600 C-fold or 800 multi-fold towels.

OVERALL DIMENSIONS:

- 14" W x 28" H x 4 1/4" D
- (356mm W x 711mm H x 108mm D)
-

WALL OPENING:

- 12 1/2" W x 26 1/2" H x 4 1/4" D
- (316mm W x 673mm H x 108mm D)

MOUNTING HEIGHT:

74"(1,880mm) to top of unit, 58"(1,473mm) for handicapped.

INSTALLATION:

Provide framed wall opening. Recessed depth required is 4 1/4"(108mm) from the finished face of wall. If installing where unit projects above top of wainscot, provide filler to prevent gaps. If installing in block walls, use metal expansion shields. 1/8"(3mm) gap recommended between units for door clearance.

OPTIONS:

- TN-3F same as TN-3 except with 2"(51mm) skirt for semi-recessing.
- TN-3FS same as TN-3 except with 4"(102mm) skirt for surface mounting.
- TN-3-6 same as TN-3 except with 6"(152mm) recess and 1100 single-fold towel capacity.

ADA GUIDE:

Access to paper towels should be 15"(381mm) to 48"(1,219mm) above the finished floor. Units should not project more than 4"(102mm) from the wall.