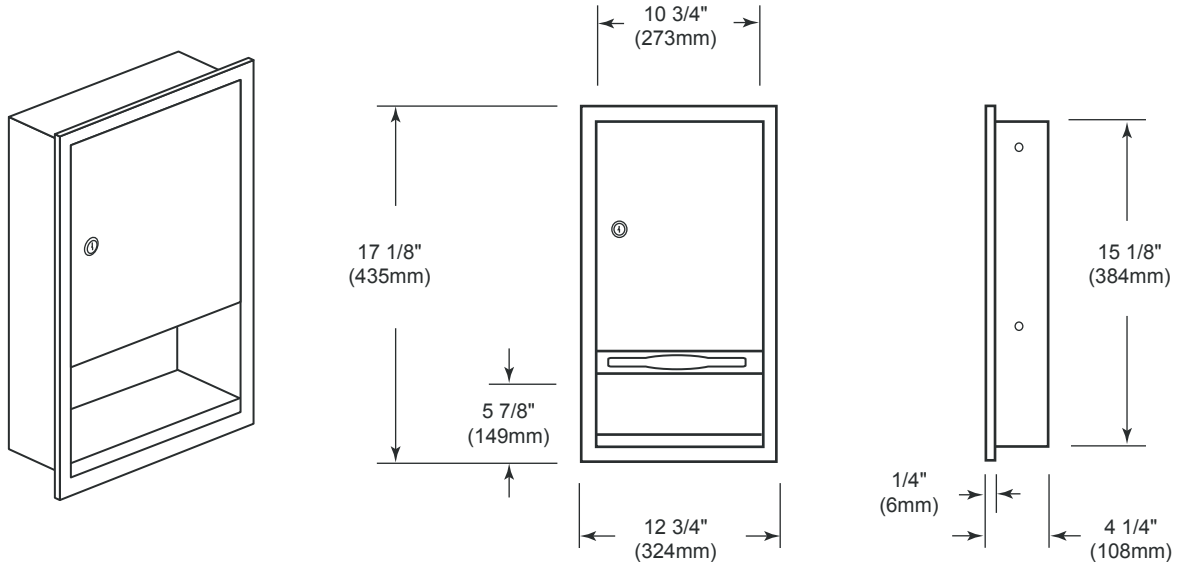




American Accessories, Inc.  
Phone (877) 465-5005  
Fax (877) 465-4090

## Tennessee Series: TN-4 Towel Dispenser



### SPECIFICATIONS:

Unit fabricated of 18-8 type 304 stainless steel with #4 satin finish. Door is 18 gauge, mounted with a full-length stainless steel piano hinge, and fitted with a tumbler lock. One piece flange constructed with 1/4"(6mm) return for rigidity. All welded construction.

### CAPACITY:

Towel dispenser: 350 C-fold or 475 multi-fold towels.

### OVERALL DIMENSIONS:

12 3/4" W x 17 1/8" H x 4 1/4" D  
(324mm W x 435mm H x 108mm D)

### WALL OPENING:

11 1/4" W x 15 5/8" H x 4 1/4" D  
(286mm W x 397mm H x 108mm D)

### MOUNTING HEIGHT:

66"(1,676mm) to top of unit, 50"(1,270mm) for handicapped.

### INSTALLATION:

Provide framed wall opening. Recessed depth required is 4 1/4"(108mm) from the finished face of wall. If installing where unit projects above top of wainscot, provide filler to prevent gaps. If installing in block walls, use metal expansion shields. 1/8"(3mm) gap recommended between units for door clearance.

### OPTIONS:

TN-4F same as TN-4 except with 2"(51mm) skirt for semi-recessing.  
TN-4FS same as TN-4 except with 4"(102mm) skirt for surface mounting.

### ADA GUIDE:

Access to paper towels should be 15"(381mm) to 48"(1,219mm) above the finished floor. Units should not project more than 4"(102mm) from the wall. Operable with one hand without tight grasping, pinching, or twisting of the wrist. Should not require more than 5 lbs. of force to open when unit is full.