



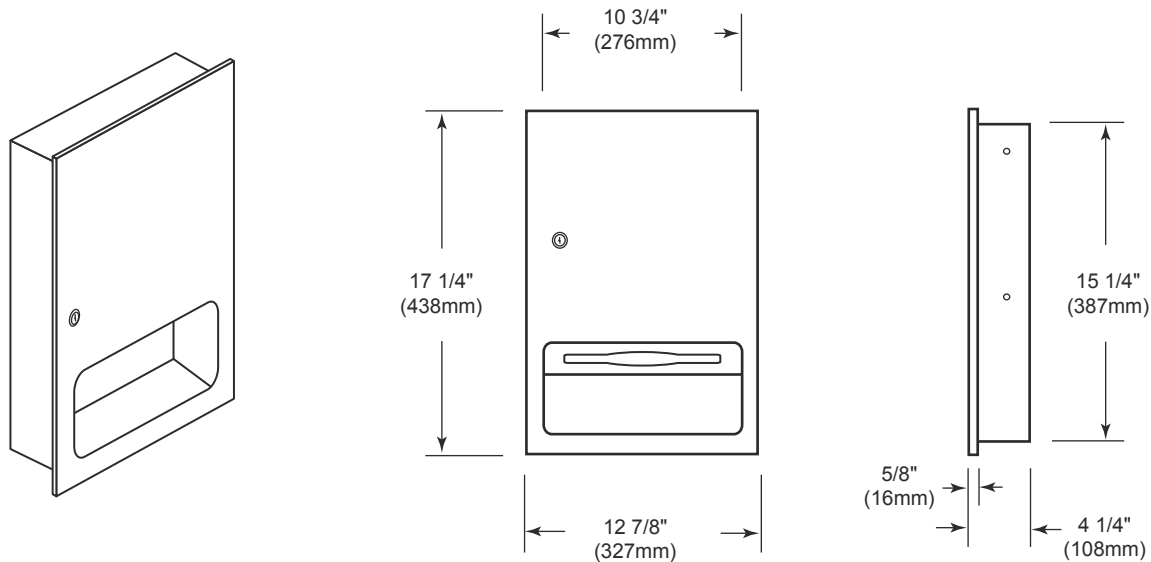
American Accessories, Inc.

Phone (877) 465-5005

Fax (877) 465-4090

## Tennessee Series: TN-6

### Paper Towel Dispenser



#### SPECIFICATIONS:

- Unit fabricated of 18-8 type 304 stainless steel with #4 satin finish. Door is 18 gauge, mounted with a full-length
- stainless steel piano hinge, and fitted with tumbler lock. Constructed with 5/8"(16mm) return for rigidity. All welded
- construction.

#### CAPACITY:

300 C-fold towels or 400 multi-fold towels.

#### OVERALL DIMENSIONS:

- 12 7/8" W x 17 1/4" H x 4 1/4" D
- (327mm W x 438mm H x 108mm D)

#### WALL OPENING:

- 11 3/8" W x 15 3/4" H x 3 7/8" D
- (289mm W x 400mm H x 98mm D)

#### INSTALLATION:

- Provide framed wall opening. Recessed depth required from the finished face of wall is 3 7/8"(98mm). If installing where
- unit projects above top of wainscot, provide filler to prevent gap between finished wall and flange of unit. If installing in
- block walls, use expansion shields. 1/8"(3mm) gap is recommended between units for door clearance.

#### MOUNTING:

67"(1,702mm) to top of unit, 50"(1,270mm) for handicapped.

#### ADA GUIDE:

Access to paper towels should be 15"(381mm) to 48"(1,219mm) above the finished floor. Units should not project more than 4"(102mm) from the wall.