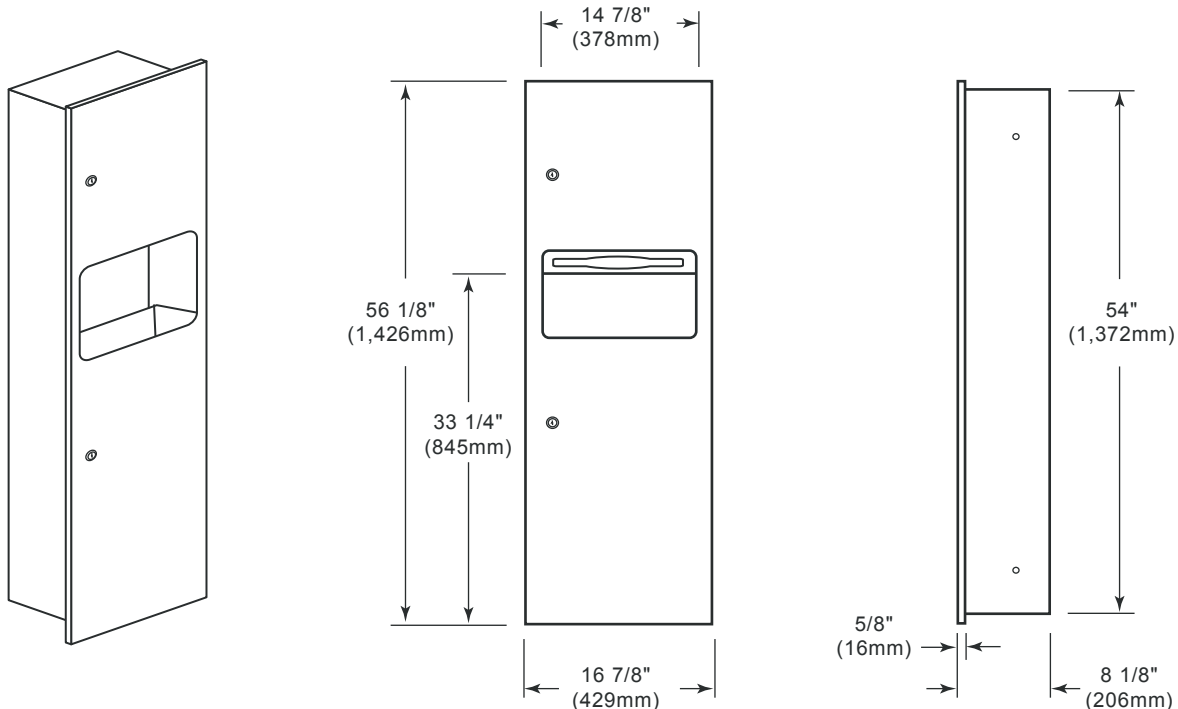




American Accessories, Inc.  
Phone (877) 465-5005  
Fax (877) 465-4090

## Texas Series: TX-11 Towel Dispenser & Waste



### SPECIFICATIONS:

- Unit fabricated of 18-8 type 304 heavy stainless steel with #4 satin finish. Door is 18 gauge, mounted with a
- continuous stainless steel piano hinge, and fitted with two (2) tumbler locks. One piece construction with a 5/8"(16mm)
- return for extra rigidity. Inner waste receptacle is removable for servicing. All welded construction.

### CAPACITY:

Towel dispenser: 600 C-fold or 800 multi-fold or 1,100 single-fold towels.

Waste receptacle: 12 gallons(45.4L).

### OVERALL DIMENSIONS:

- 16 7/8" W x 56 1/8" H x 8 1/8" D
- (429mm W x 1,426mm H x 206mm D)

### WALL OPENING:

- 15 3/8" W x 54 5/8" H x 7 3/4" D
- (391mm W x 1,387mm x 197mm D)

### INSTALLATION:

- Provide framed wall opening of 15 3/8"(391mm)W x 54 5/8"(1,387mm)H. Recessed depth required is 7 3/4"(197mm)
- from the finished floor. Coordinate plans with mechanical engineers to avoid protrusion from opposite wall, pipes,
- conduits, electrical wires, etc. If installing where unit projects above wainscot, provide filler to prevent gap. If installing
- in block walls, use metal expansion shields.

### MOUNTING:

72"(1,829mm) to top of unit, 60"(1,524mm) for handicapped.

### ADA GUIDE:

Access to paper towels should be 15"(381mm) to 48"(1,219mm) above the finished floor. Units should not project more than 4"(102mm) from the wall.