

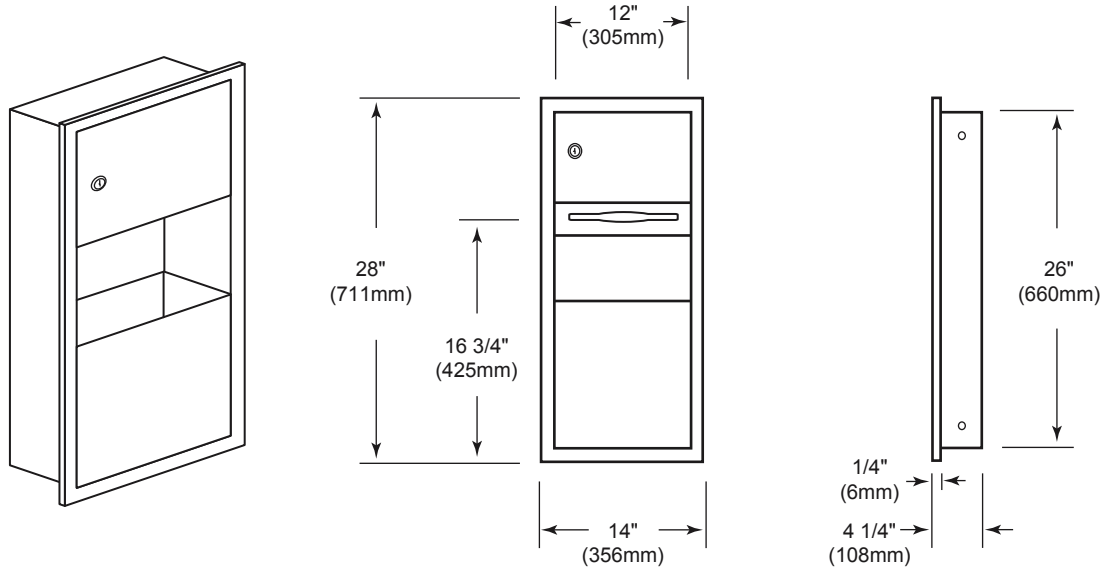


American Accessories, Inc.

Phone (877) 465-5005

Fax (877) 465-4090

Texas Series: TX-3 Recessed Paper Towel Dispenser & Waste Receptacle



SPECIFICATIONS:

Unit fabricated of 18-8 type 304 stainless steel with #4 satin finish. Door is 18 gauge, mounted with continuous

- stainless steel piano hinge, and fitted with tumbler lock. One piece seamless 22 gauge flange constructed with 1/4"(6mm)
- return for rigidity. Waste receptacle is removable for servicing. All welded construction.

CAPACITY:

Towel dispenser: 350 C-fold or 475 multi-fold towels.

OVERALL DIMENSIONS:

- 14" W x 28" H x 4 1/4" D
- 12 1/2" W x 26 1/2" H x 4 1/4" D
- (356mm W x 711mm H x 108mm D)
- (318mm W x 673mm H x 108mm D)

WALL OPENING:

MOUNTING HEIGHT:

71"(1,803mm) to top of unit, 51"(1,295mm) for handicapped.

INSTALLATION:

Provide framed wall opening of 12 1/2"(318mm)W x 26 1/2"(673mm)H. Recessed depth required is 4 1/4"(108mm) from the finished floor. Coordinate plans with mechanical engineers to avoid protrusion from opposite wall, pipes, conduits, electrical wires, etc. If installing where unit projects above wainscot, provide filler to prevent gap. If installing in block walls, use metal expansion shields.

OPTIONS:

TX-3F same as TX-3 except with 2"(51mm) skirt for semi-recessing.

TX-3FS same as TX-3 except with 4"(102mm) skirt for surface mounting.

ADA GUIDE:

Access to paper towels should be 15"(381mm) to 48"(1,219mm) above the finished floor. Hinged panels should not require more than 5 lbs. of force to open. Units should not project more than 4"(102mm) from the wall. Operable with one hand and without pinching, grasping, or twisting of the wrist. Activation should not require more than 5 lbs. of force when completely filled.