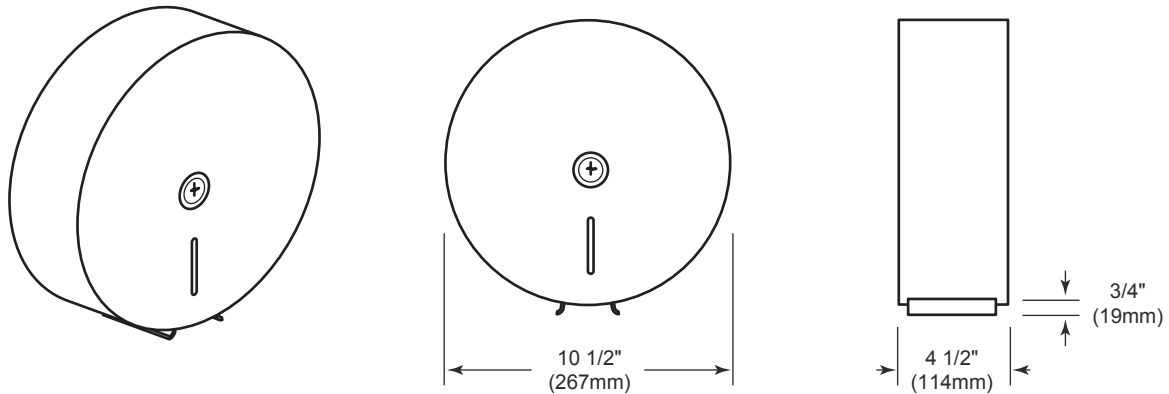




American Accessories, Inc.
Phone (877) 465-5005
Fax (877) 465-4090

Vermont Series: VT-13 Roll Toilet Tissue Dispenser



SPECIFICATIONS:

- Unit fabricated of 22 gauge 18-8 type 304 stainless steel with #4 satin finish. Unit dispenses one standard 9 3/8"(238mm)
- diameter roll by 4"(102mm) wide with a tumbler lock and hinges for easy loading of new roll. Sight level indicator is provided.
- All welded construction.
-

CAPACITY:

Unit holds one(1) standard toilet tissue roll, 9 3/8"(238mm) in diameter by 4"(102mm) wide.

OPTIONS:

VT-13W same as above except with white enamel finish.