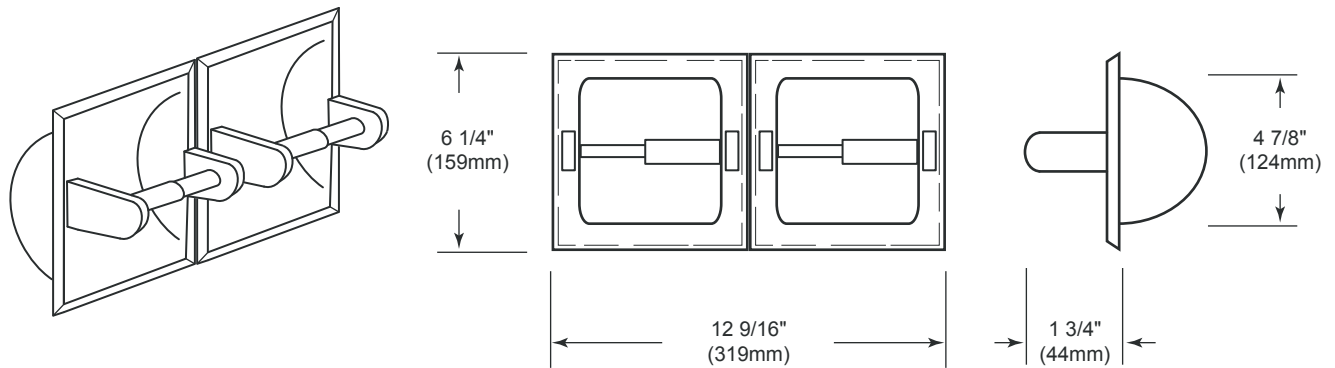




American Accessories, Inc.
Phone (877) 465-5005
Fax (877) 465-4090

Vermont Series: VT-212 Double Toilet Tissue Dispenser



SPECIFICATIONS:

- Unit fabricated of 22 gauge 18-8 type 304 stainless steel with #8 polished finish. One-piece, seamless construction recess shells and flange. Projecting posts are die cast zinc with a polished finish. Rollers are chrome plated plastic, spring activated.
-

INSTALLATION:

- Recessed depth required is 2 3/4" (70mm) from the finished face of the wall. Wood blocking is recommended. Install recess shell into opening using four (4) stainless steel screws provided. If blocking is not available, use two (2) optional OR-430 recess wall clamps for each recessed shell.

OVERALL DIMENSIONS:

- 12 9/16" W x 6 1/4" H x 2 7/5" D
(319mm W x 159mm H x 70mm D)

WALL OPENING:

- 11 1/16" W x 4 3/4" H x 2 3/4" D
(281mm W x 121mm H x 70mm D)