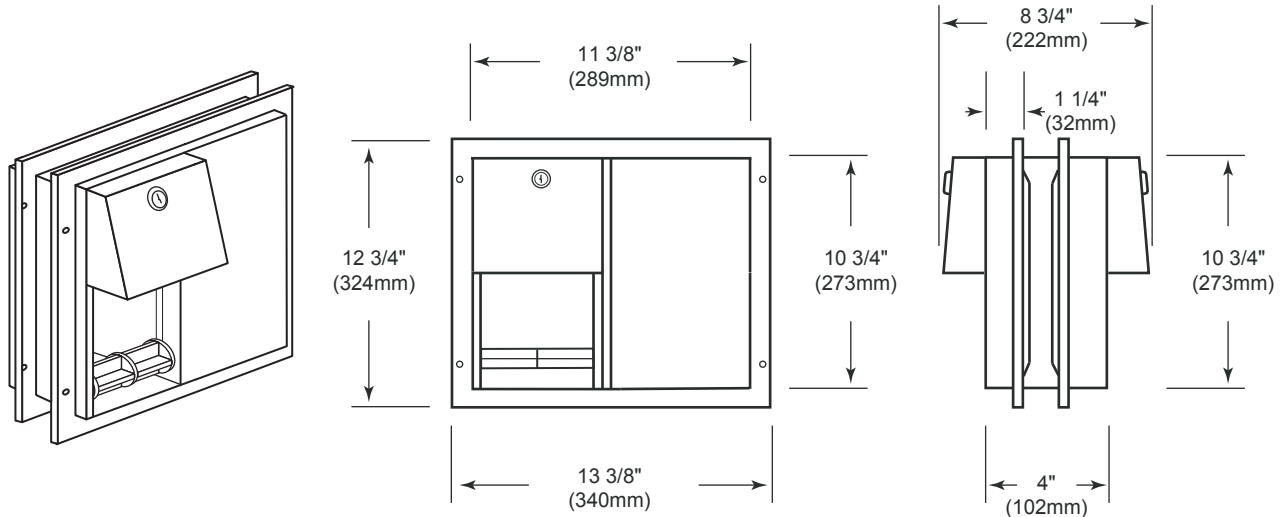




American Accessories, Inc.  
Phone (877) 465-5005  
Fax (877) 465-4090

## Vermont Series: VT-7 Dual Partition Toilet Tissue Dispenser



### SPECIFICATIONS:

- Unit fabricated of 18 and 22 gauge, 18-8 type 304 stainless steel with #4 satin finish. Door is fabricated of 18 gauge stainless steel, attaches with heavy duty rivets, and is fitted with a tumbler lock. One piece seamless flange is fabricated of 22 gauge stainless steel and has a 1/4"(6mm) 90 degree return for rigidity. Dispensing mechanism and inner cabinet are constructed of 18 and 22 gauge stainless steel. All welded construction. Spindles are a one piece molded ABS polyethylene with stainless steel tips to prevent damage when roll automatically drops in place. Roller cannot be removed when door is locked. Toilet tissue rolls are loaded and locked into dispensing mechanism. Extra roll automatically drops in place after bottom roll is depleted. Serves two(2) compartments with ease of loading from both sides.

### CAPACITY:

Unit holds two(2) standard core toilet tissue rolls up to 5 1/4"(133mm) in diameter, approximately 1,800 sheets, each side.

### OVERALL DIMENSIONS:

- 13 3/8" W x 12 3/4" H x 8 3/4" D  
(340mm W x 324mm H x 222mm D)

### WALL OPENING:

- 11 7/8" W x 11 1/4" H  
(302mm W x 286mm H)

### MOUNTING:

- 28"(711mm) to 37"(940mm) to top of unit, mount center through toilet partition. Two(2) flanges provided for partition mounting 1/2"(13mm) to 2"(51mm) thickness serving two(2) compartments.

### NOTE:

- Available in titanium gold, add suffix "TG".
- Available in polished #8 mirror 18-8 type 304 stainless steel.

### ADA MOUNTING GUIDE:

Toilet tissue rolls should be mounted with forward edge no more than 36"(914mm) from the back wall of stall. All toilet tissue dispensers should be mounted with their horizontal centerline at least 19"(483mm) from the finished floor.