

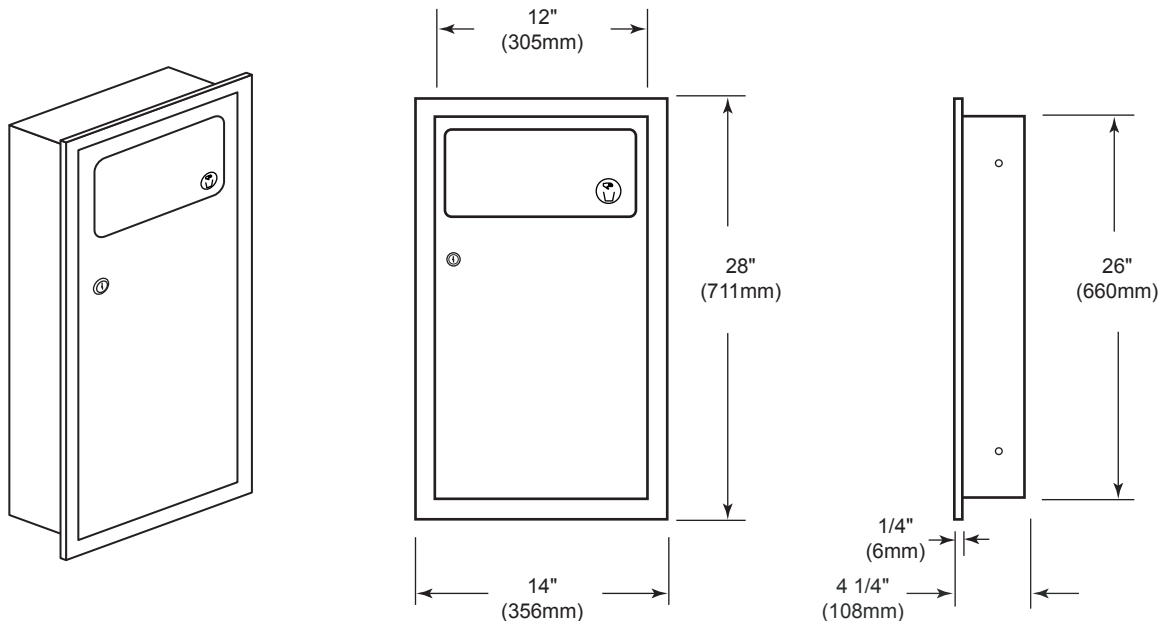


American Accessories, Inc.

Phone (877) 465-5005

Fax (877) 465-4090

Washington Series: WA-7 Recessed Waste Receptacle



SPECIFICATIONS:

- Unit fabricated of 18-8 type 304 stainless steel with #4 satin finish. Door is 18 gauge and mounted with continuous stainless steel piano hinge and fitted with tumbler lock. Self-closing push door is mounted with continuous stainless steel piano hinge. One-piece flange with 1/4"(6mm) return for rigidity. Stainless steel inner container is removable for servicing. All welded construction.

CAPACITY:

- 3 gallons (11.4L).

INSTALLATION: □

- Provide framed wall opening. Recessed depth required is 4 1/4"(108mm) from the finished face of wall. If installing where unit projects above wainscot, provide filler to prevent gaps. If installing in block walls, use metal expansion shields.
- 1/8"(3mm) gap recommended between units for door clearance.

OVERALL DIMENSIONS:

- 14" W x 28" H x 4 1/4" D
- (356mm W x 711mm H x 108mm D)

□ WALL OPENING:

- 12 1/2" W x 26 1/2" H x 4 1/4" D
- (318mm W x 673mm H x 108mm D)

MOUNTING:

- 52"(1,321mm) to top of unit ADA: 38"(965mm).

ADA GUIDE:

- Access to paper towels should be 15"(381mm) to 48"(1,219mm) above the finished floor. Hinged panels covering waste receptacle openings should not require more than 5 lbs. of force to open. Units should not project more than 4"(102mm) from the wall. Operable with one hand without tight grasping, pinching, or twisting of the wrist.